

Brighton Series Street Light



FEATURES

- Die Cast Aluminium
- Injected Molded Lens and Glass Diffuser
- LED Type: Lumileds 3030
- Driver: Meanwell
- Voltage: AC85-265V, 50/60 Hz
- Power Factor: >0.95
- Colour Render Index (CRI): >RA80
- Beam Angle: Type II-s, Type II-M, Type III-M, Type IV-M, Type V
- Working Temperature Range: -20°C to 45°C
- Surge Protection Device (SPD) in-built as standard.

OPTIONS

- DALI Dimmable
- Microwave or PIR Sensor
- Available in: 3000/3500/4000/5000K/5700K CCT
- Available in custom colours upon request
- Integrated photo-electrical cell (PE Cell)
- Bespoke photo-optic lens

MODEL NO	WATTAGE	EFFICACY (Lumens/Watt)	SIZE
AES-RK-PL30W-01-G3(B)	30W	140	592mmL x 255mmW x 133mmH
AES-RK-PL50W-01-G3(B)	50W	140	592mmL x 255mmW x 133mmH
AES-RK-PL60W-01-G3(B)	60W	140	592mmL x 255mmW x 133mmH
AES-RK-PL80W-01-G3(B)	80W	140	592mmL x 255mmW x 133mmH
AES-RK-PL100W-01-G3(B)	100W	140	699mmL x 328mmW x 141mmH
AES-RK-PL120W-01-G3(B)	120W	140	699mmL x 328mmW x 141mmH
AES-RK-PL150W-01-G3(B)	150W	140	699mmL x 328mmW x 141mmH
AES-RK-PL180W-01-G3(B)	180W	140	779mmL x 328mmW x 141mmH
AES-RK-PL200W-01-G3(B)	200W	140	779mmL x 328mmW x 141mmH
AES-RK-PL240W-01-G3(B)	240W	140	779mmL x 328mmW x 141mmH

Please add additional suffix to end of the above Catalogue Number if these options are to be included.

3000K	3K	4000K	4K	5000K	5K
5700K	5.7K			DALI Dimmable	DALI
Grey Body	GR	Black Body	BL	Custom Colour	CUS
Beam Type V	V	Beam Type IV - M	IV-M	Beam Type III-M	III-M
Beam Type II-M	II-M	Beam Type II-S	II-S		



AES
Australian EcoTech Solutions

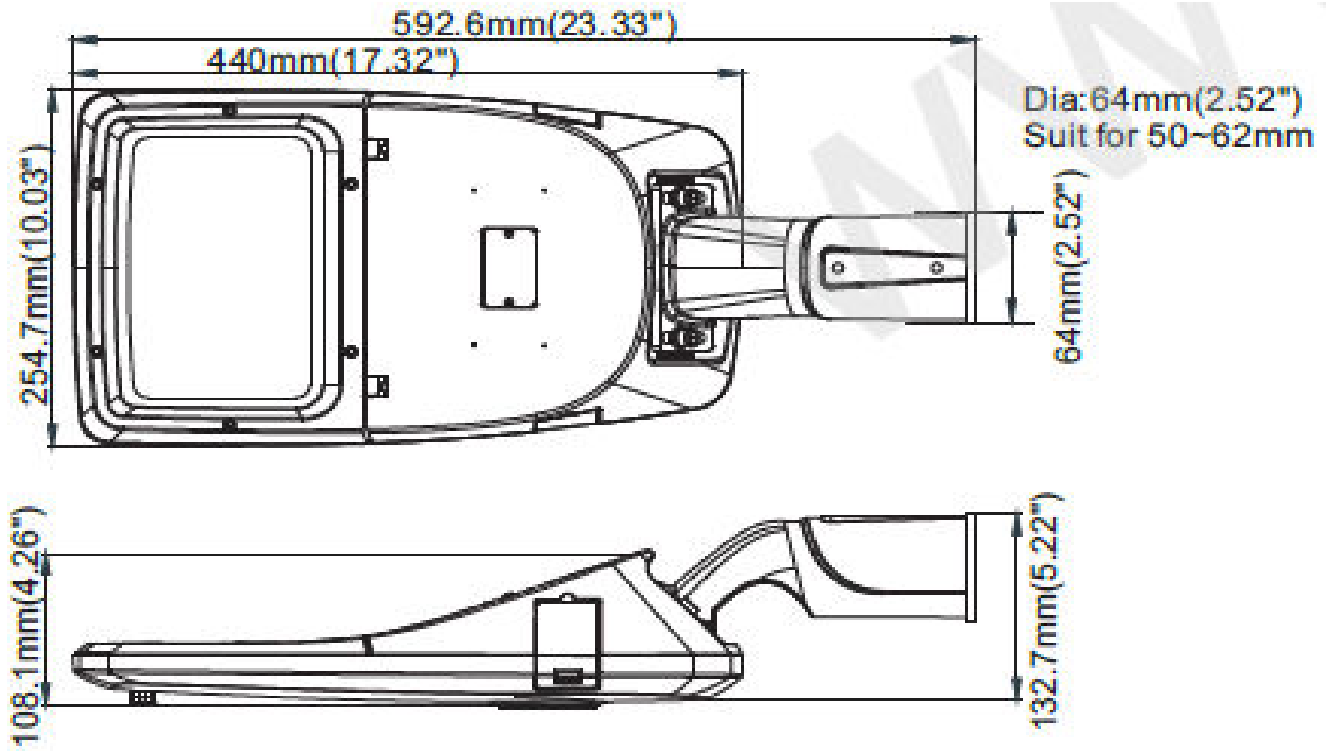
A: 1/123 Merrindale Drive, Croydon South VIC 3136
P: (03) 8761 6734
E: sales@ausecotech.com.au
W: www.ausecotech.com.au



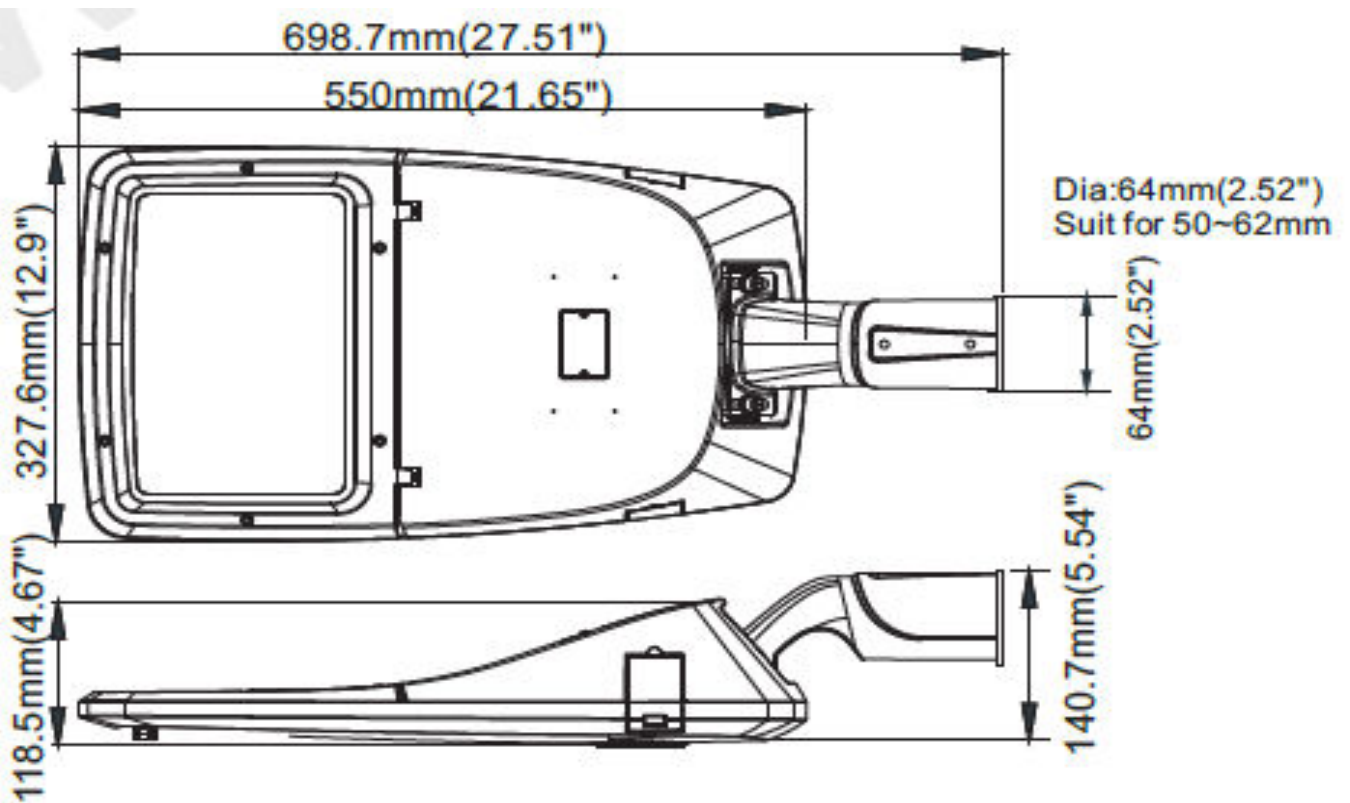
RoHS

PRODUCT DIMENSIONS

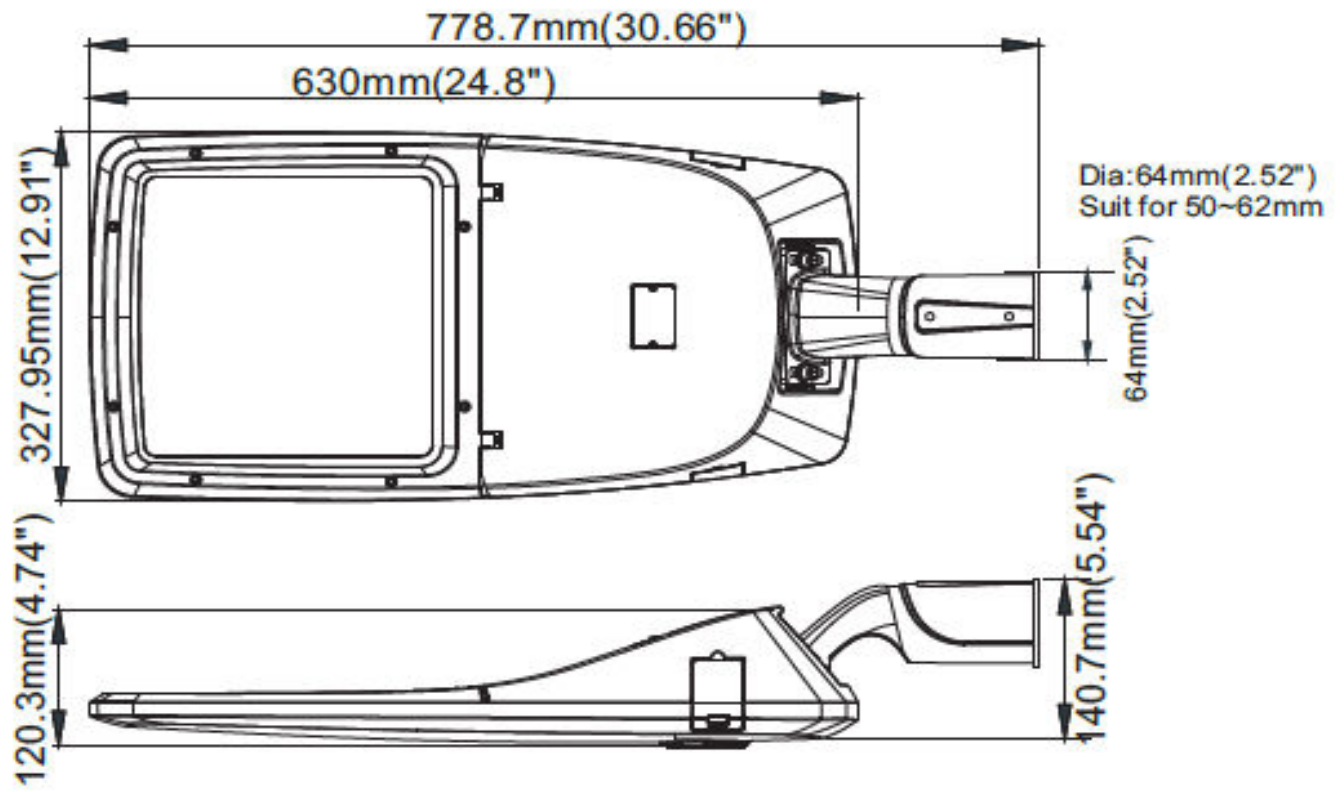
30W-50W-60W-80W Models



100W - 120W - 150W Models



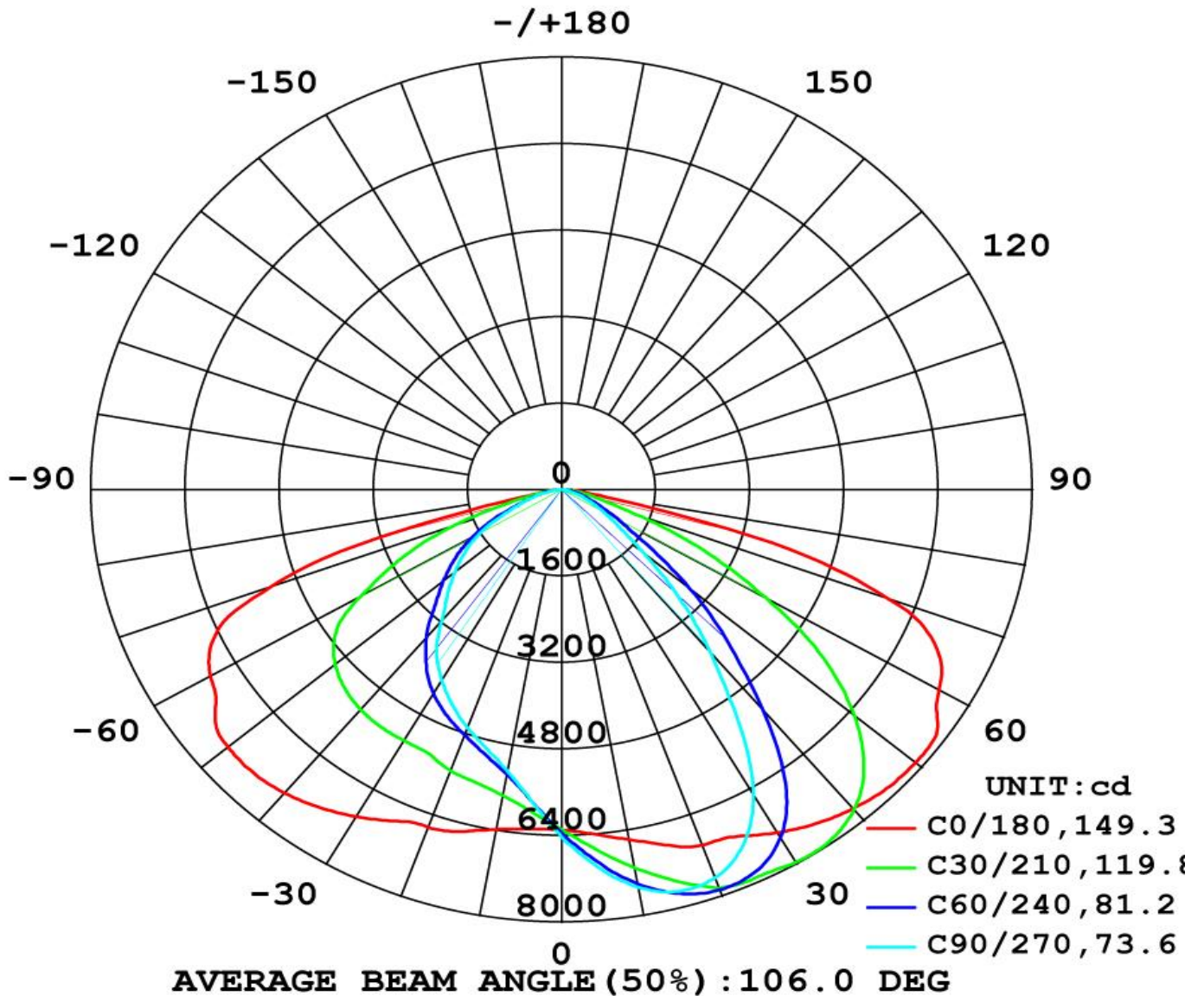
180W - 200W -240W Models



Standard Optics

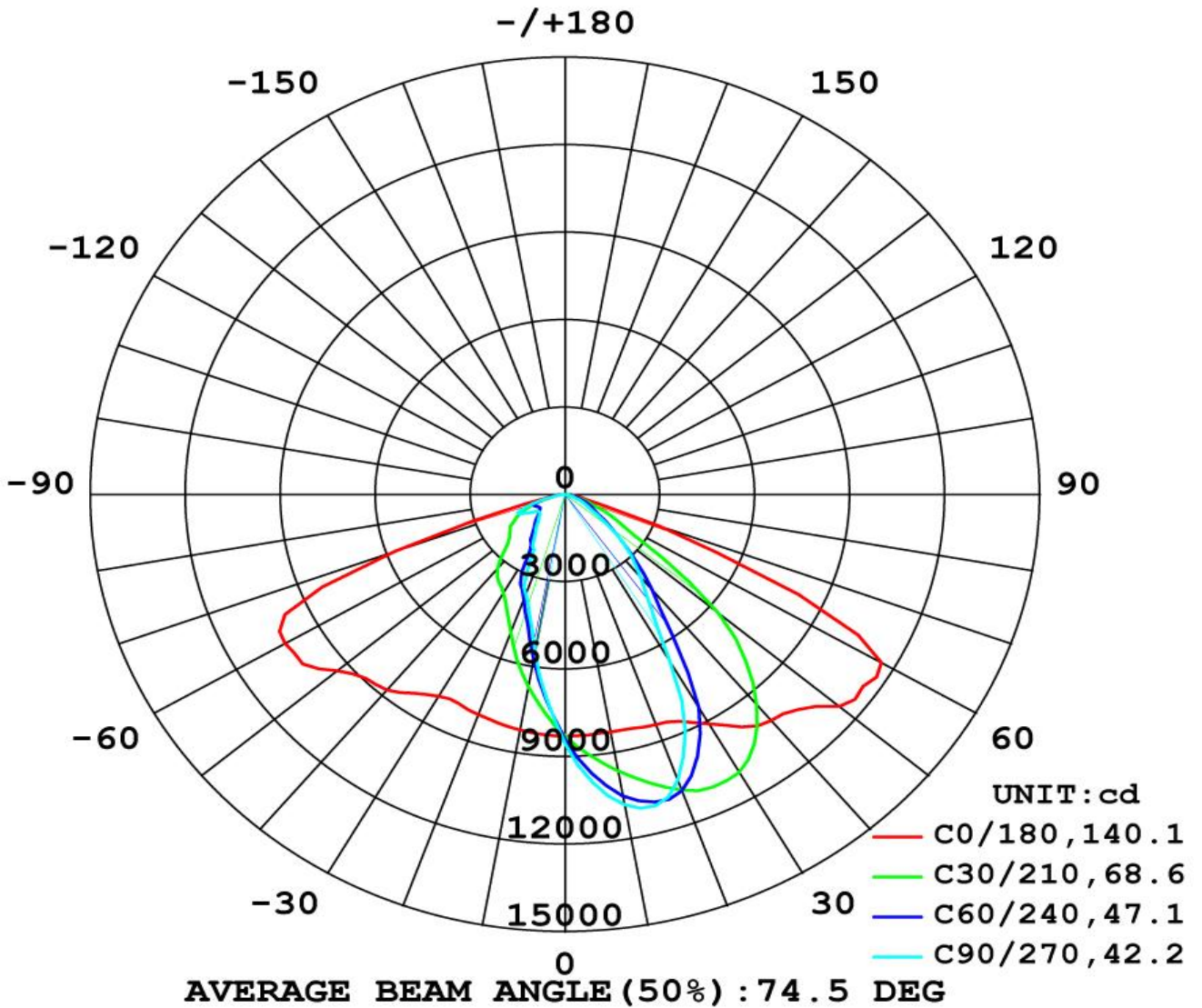
Type II-S (151° x 81°)

INTENSITY DISTRIBUTION DIAGRAM IN C PLANS



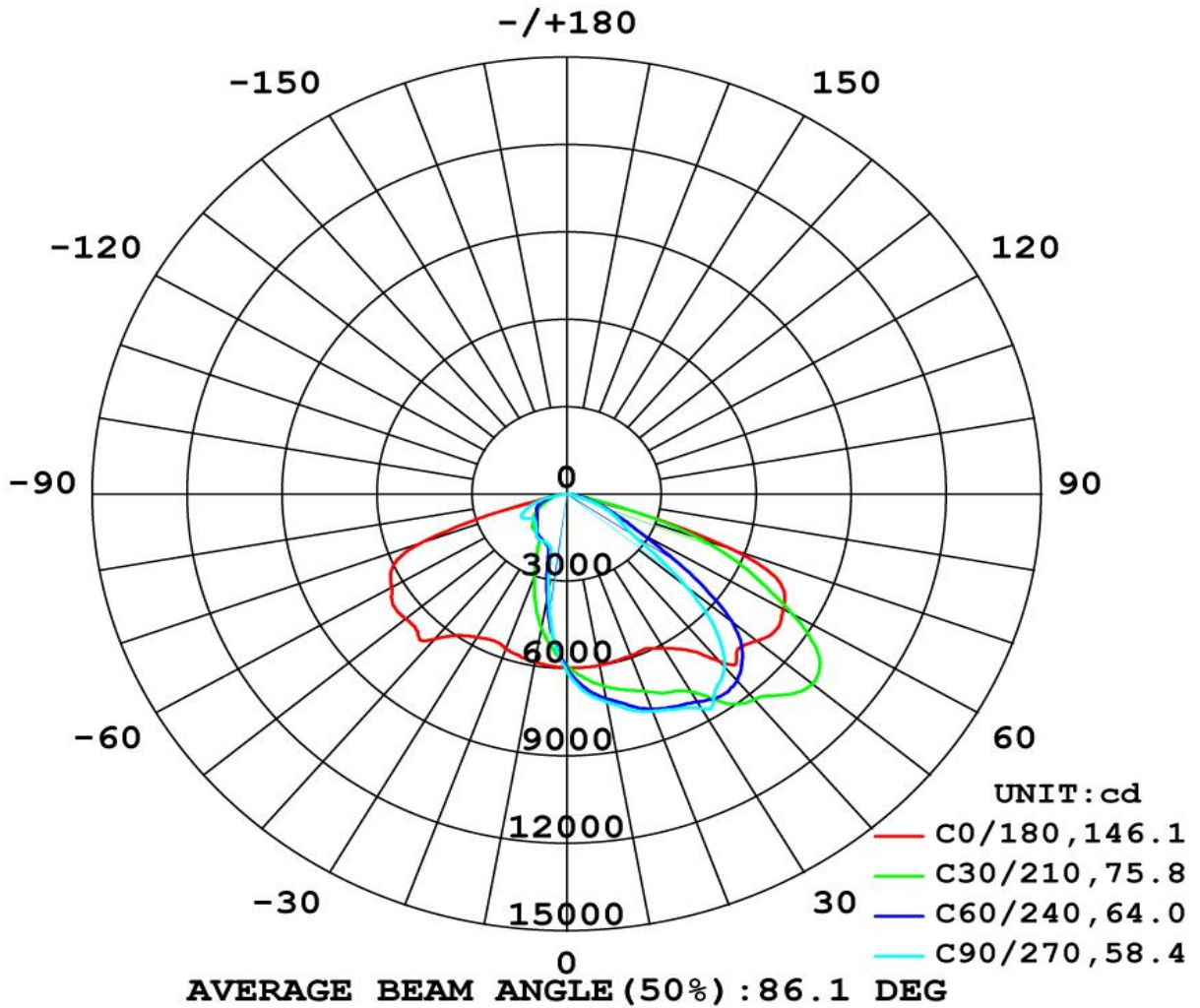
Type II-M (147° x 72°)

INTENSITY DISTRIBUTION DIAGRAM IN C PLANS



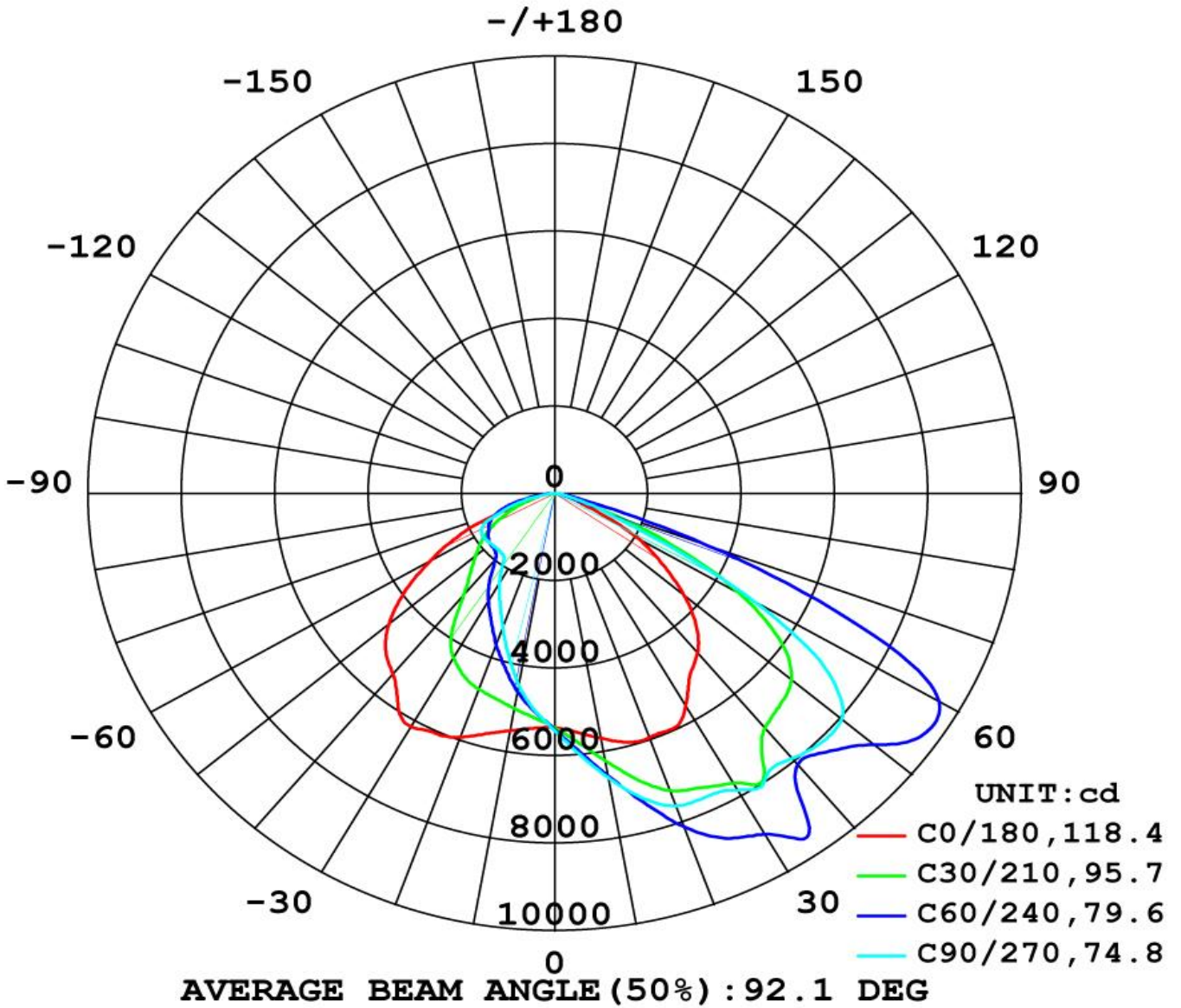
Type III-M (156° x 71°)

INTENSITY DISTRIBUTION DIAGRAM IN C PLANS



Type IV-M (100° x 65°)

INTENSITY DISTRIBUTION DIAGRAM IN C PLANS



Type III-M (150°)

INTENSITY DISTRIBUTION DIAGRAM IN C PLANS

